

OLIMA

Non return valve:
a solution to flooding problems

www.redi.it

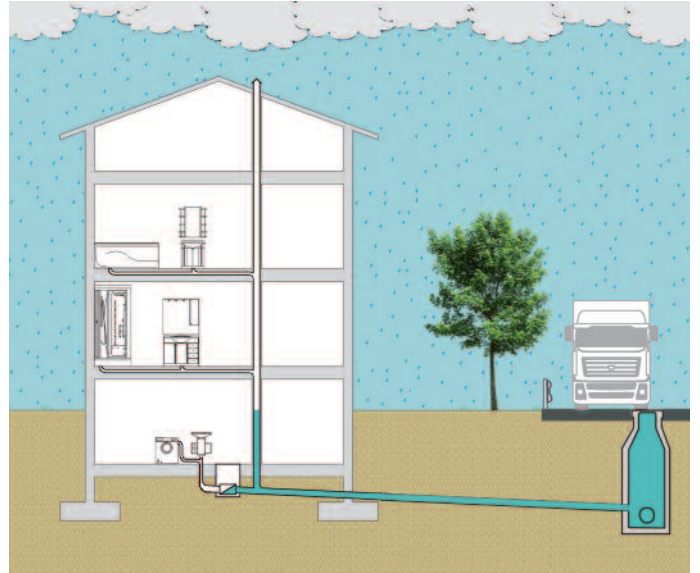


REDI

le strade dell'acqua

OTTIMA

a solution to flooding problems



Functionality



Normal working situation



Effective anti-flooding

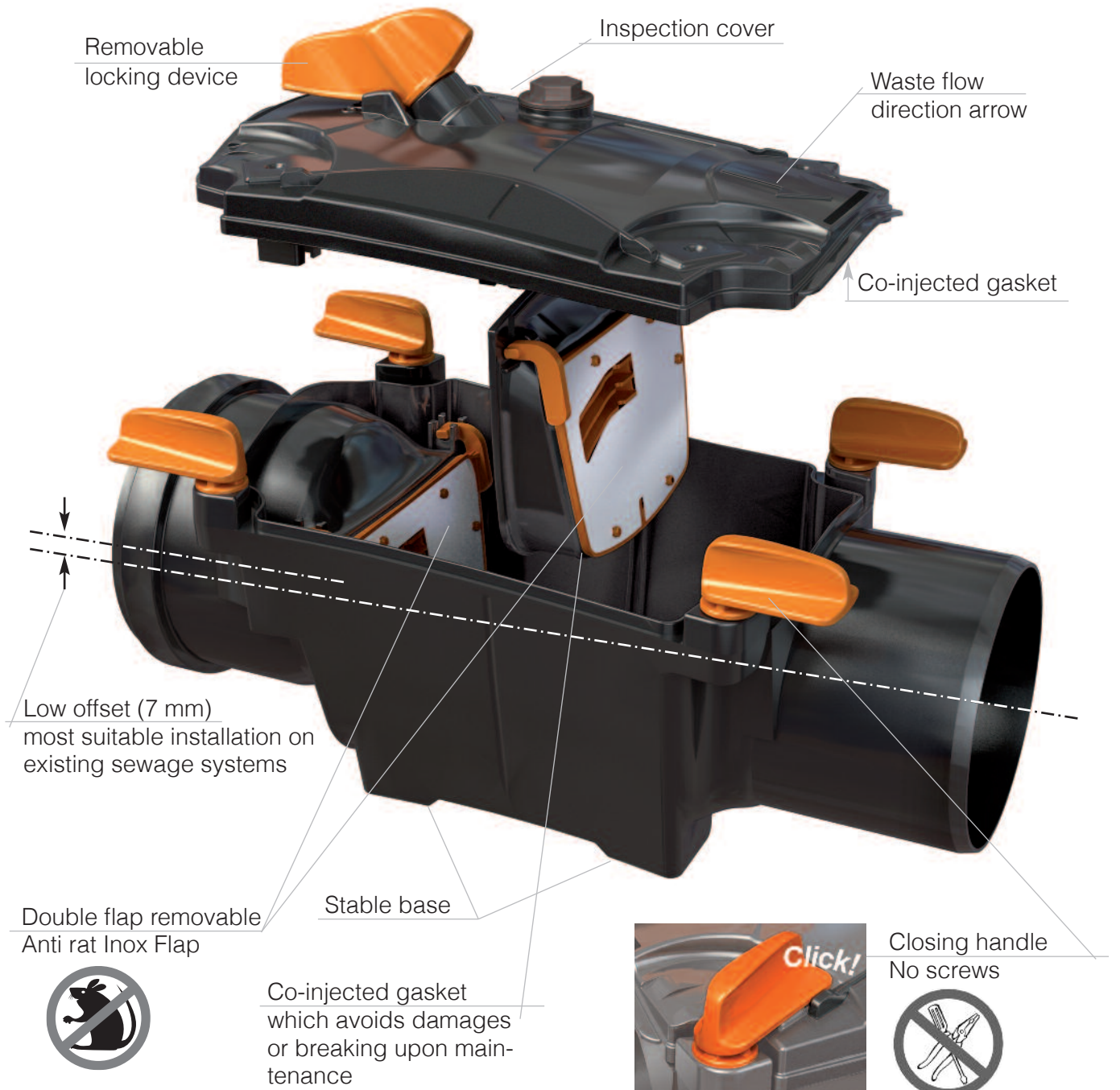
Climatic changes plus more and more concentrated urbanization often leads to having overloaded sewage networks with consequent flooding problems. The easiest and most economic solution to avoid this problem is the installation of a Non Return Valve. This will protect homes from costly damage, whose resolution are always the owners responsibility.

OTTIMA has to be installed on waste water pipes and allows the outflow to reach the municipal sewage network avoiding water backflows

It is highly recommended in cases of:

- Fields which are under the water level
- Areas closest to rivers, lakes, sea
- When the sewage is linked to rainwater pipes (dangerous in case of heavy rain)
- If a sewage network overload has already occurred
- If an extension of the sewage network (with consequent overload) is probable
- When the municipal sewage network includes pumping stations.

Technical data



Available:

Socket/Spigot



Spigot / Spigot



■ Avoid rust and oxidation

The plastic material the valve's body and components are all made of avoid acid corrosion problems and oxidation.

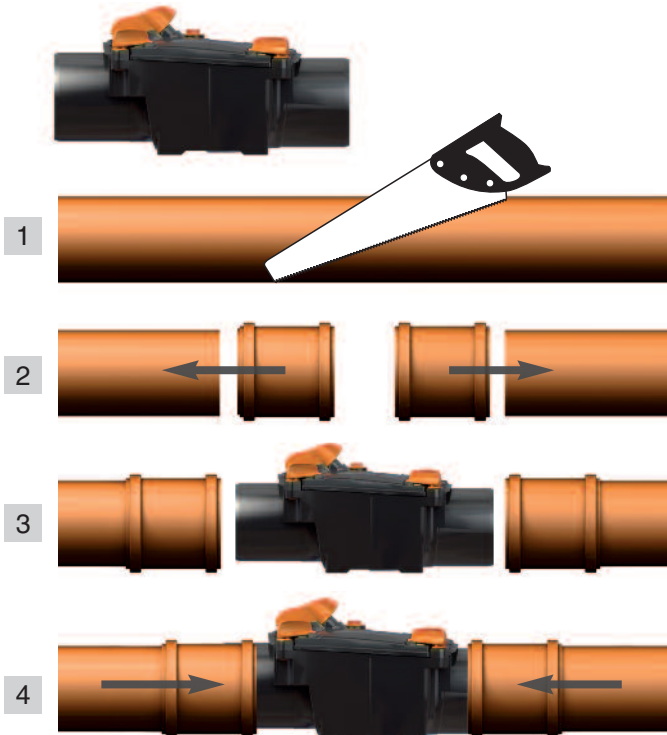
■ Inspection cover

Removable handle in order to avoid alteration to the valve. The cap has a co-injected gasket which avoids damages or breaking during maintenance.

■ Flap

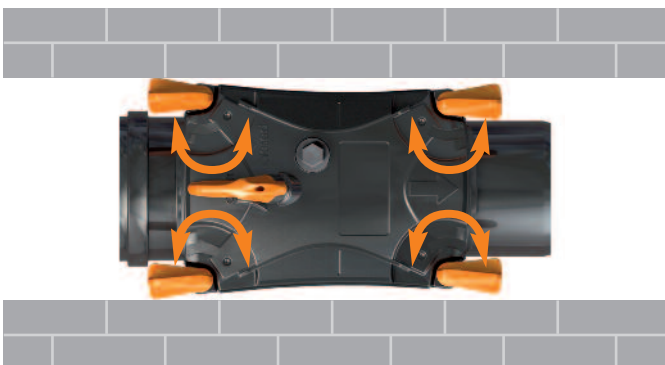
Anti rat Inox Flap. No screws are necessary to fix the inox flap. The flap has a co-injected gasket which avoids damages or breaking during maintenance.

Spigot/Spigot version for renovation



Compact

The compact body of the valve OTTIMA allows the installation of the product even in cases where there is low space or walls in close proximity.



Installation Examples

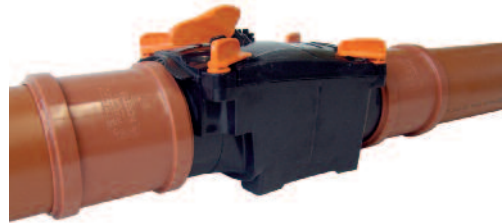
■ Lip seal version



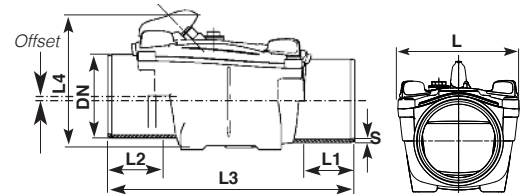
■ Application non-plastic materials



■ Plastics applications

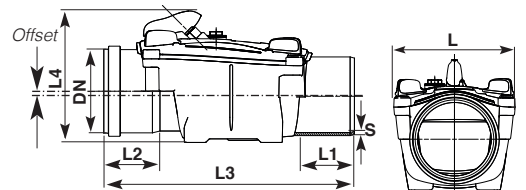


■ Spigot/Spigot



DN	S (mm)	L (mm)	L1 (mm)	L2 (mm)	L3 (mm)	L4 (mm)	Offset (mm)
100	3,0	171	60	60	335	184	7
110	3,2	171	65	65	365	184	7
125	3,2	255	73	73	455	226	9
160	4,0	255	83	83	468	226	9

■ Socket/Spigot



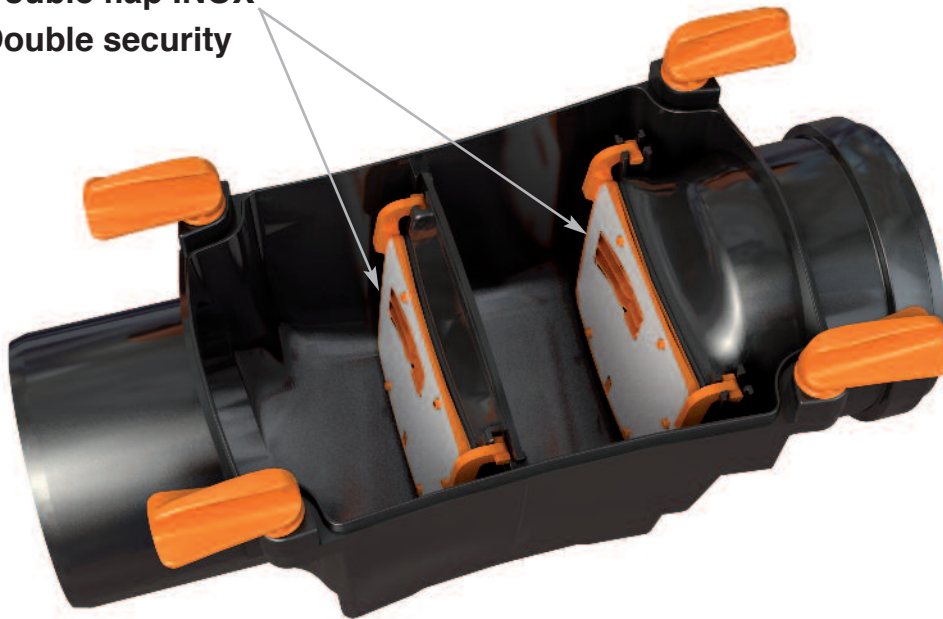
DN	S (mm)	L (mm)	L1 (mm)	L2 (mm)	L3 (mm)	L4 (mm)	Offset (mm)
100	3,0	171	60	57	338	184	7
110	3,2	171	65	63	350	184	7
125	3,2	255	73	69	458	226	9
160	4,0	255	83	82	491	226	9

Evolution and design

Available diameters: 100 - 110 - 125 - 160



NEW Double flap INOX
Double security



REDI has designed and manufactured non return valves for almost 30 years. There are several thousand valves installed around the world reflecting contractor and client installed satisfaction.

It is based on these experience and know-how that REDI markets OTTIMA, the new non return valve which embodies the concepts of quality, reliability and design.

OTTIMA represents a reference product when speaking about non return valves.

REDI OTTIMA non return valves have been designed in full compliance with the European Norm EN13564.

Inlet and outlet comply with European Standards EN1329 and EN1401 where applicable.



REDI

40069 ZOLA PREDOSA Via Madonna dei Prati, 5/A (BO - Italy)

Tel. + 39 051 6175111 - Fax + 39 051 756649

www.redi.it - export@redi.it

an *OAliaxis* company